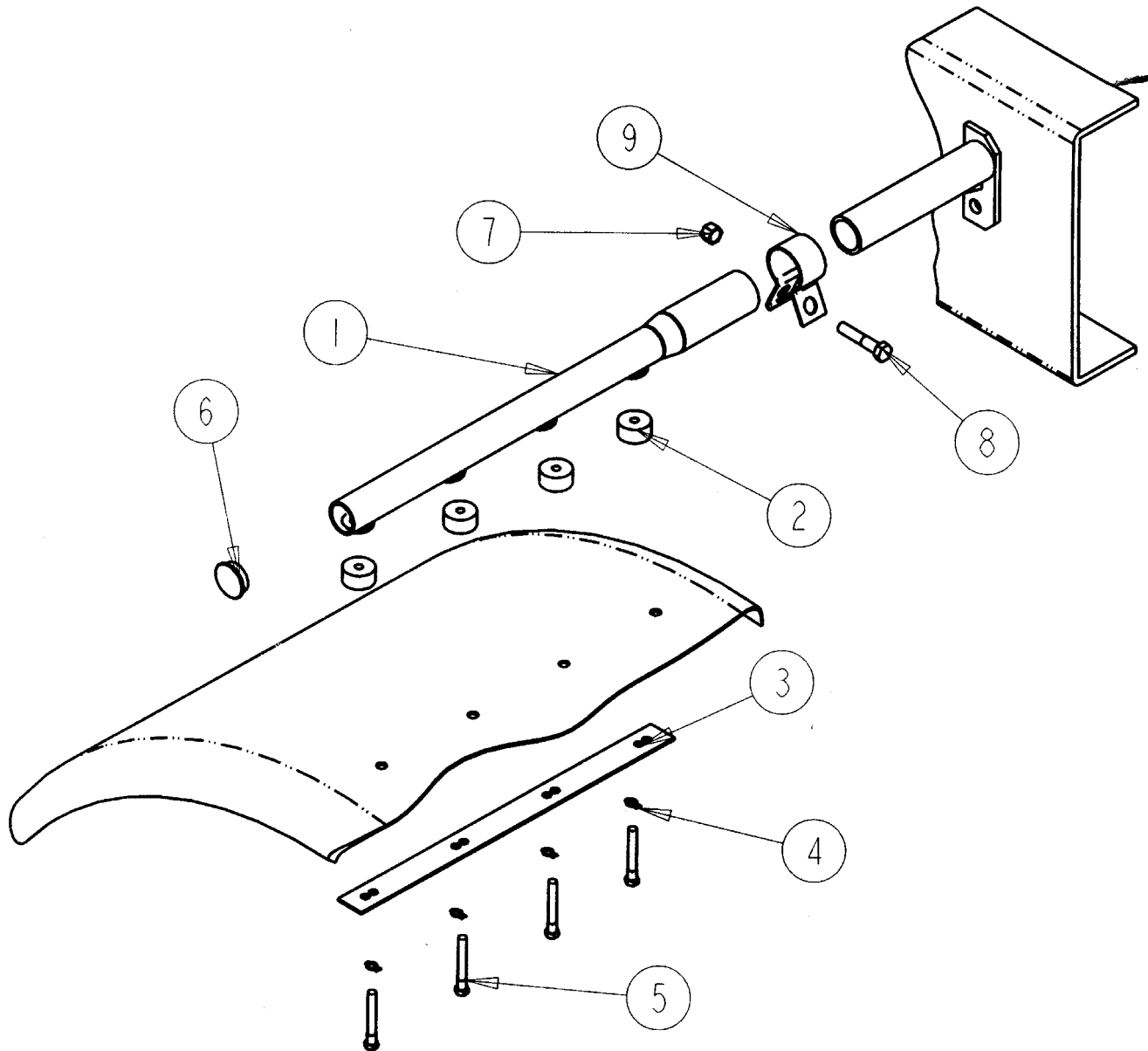


# EZ MOUNT FENDER BRACKETS

## POST MOUNT



### HARDWARE KIT INCLUDES:

1. 1 25½" x 1 5/8" Round Bracket
2. 4 1½" x ¾" Rubber Spacers
3. 1 1½" x 19¾" Backing Plate
4. 4 3/8" Tab Lockwashers
5. 4 1¾" x 3/8" Hex Bolts
6. 1 1½" Plastic End Cap
7. 1 ½" – 13 Nyloc Nut
8. 1 ½" – 13 x 2¼" Hex Bolt
9. 1 Bracket Clamp

*This is a Universal Bracket – designed to mount outside of any fender.*

### FEATURES

High quality product with an exceptional polished chrome finish!  
Post mount to frame.  
Rubber mount to fender  
Bracket mounts 1" off fender so rocks and gravel fall through.

### INSTALLATION NOTES:

- ❖ Backing plate is designed to be used as template to drill holes in fender.
- ❖ When installing 1¾" x 3/8" bolts it is recommended that the bolts are not overtightened.
- ❖ It is necessary to bend tab lockwashers downward into bolt to prevent unwinding.